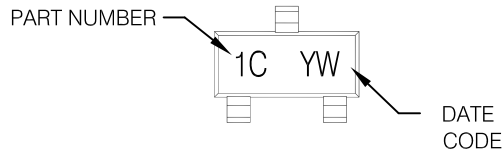


Micro3 (SOT-23 / TO-236AB)

Notes: This part marking information applies to devices produced before 02/26/2001

EXAMPLE: THIS IS AN IRLML6302

WW = (1-26) IF PRECEDED BY LAST DIGIT OF CALENDAR YEAR



YEAR	Y	WORK WEEK	W
2001	1	01	A
2002	2	02	B
2003	3	03	C
1994	4	04	D
1995	5		
1996	6		
1997	7		
1998	8		
1999	9		
2000	0	24	X
		25	Y
		26	Z

PART NUMBER CODE REFERENCE:

- 1A = IRLML2402
- 1B = IRLML2803
- 1C = IRLML6302
- 1D = IRLML5103
- 1E = IRLML6402
- 1F = IRLML6401
- 1G = IRLML2502
- 1H = IRLML5203

DATE CODE EXAMPLES:

- YWW = 9503 = 5C
- YWW = 9532 = EF

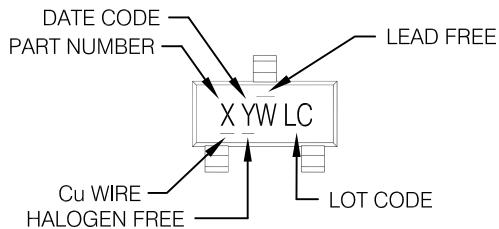
WW = (27-52) IF PRECEDED BY A LETTER

YEAR	Y	WORK WEEK	W
2001	A	27	A
2002	B	28	B
2003	C	29	C
1994	D	30	D
1995	E		
1996	F		
1997	G		
1998	H		
1999	J		
2000	K	50	X
		51	Y
		52	Z

Micro3 (SOT-23 / TO-236AB) Lead - Free

Notes: This part marking information applies to devices produced after 02/26/2001

W = (1-26) IF PRECEDED BY LAST DIGIT OF CALENDAR YEAR



X = PART NUMBER CODE REFERENCE:

- A = IRLML2402
- B = IRLML2803
- C = IRLML6302
- D = IRLML5103
- E = IRLML6402
- F = IRLML6401
- G = IRLML2502
- H = IRLML5203
- I = IRLML0030
- J = IRLML2030
- K = IRLML0100
- L = IRLML0060
- M = IRLML0040
- N = IRLML2060
- P = IRLML9301
- R = IRLML9303
- S = IRLML6244
- T = IRLML6246
- U = IRLML6344
- V = IRLML6346
- W = IRFML8244
- X = IRLML2244
- Y = IRLML2246
- Z = IRFML9244

Note: A line above the work week (as shown here) indicates Lead - Free.

YEAR	Y	WORK WEEK	W	
2011	2001	1	01	A
2012	2002	2	02	B
2013	2003	3	03	C
2014	2004	4	04	D
2015	2005	5		
2016	2006	6		
2017	2007	7		
2018	2008	8		
2019	2009	9		
2020	2010	0	24	X
			25	Y
			26	Z

W = (27-52) IF PRECEDED BY A LETTER

YEAR	Y	WORK WEEK	W	
2011	2001	A	27	A
2012	2002	B	28	B
2013	2003	C	29	C
2014	2004	D	30	D
2015	2005	E		
2016	2006	F		
2017	2007	G		
2018	2008	H		
2019	2009	J		
2020	2010	K	50	X
			51	Y
			52	Z

REVISED PER ESCN
52542

APPROVED BY

PRINT NAME:
Venkat Iyer

SIGN NAME:
Venkat Iyer

DATE:

9/18/19

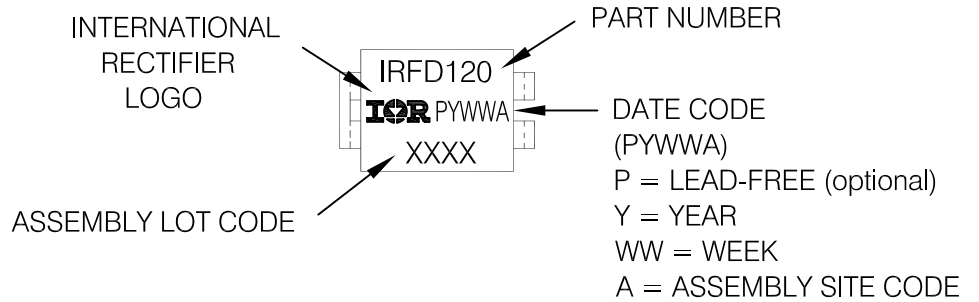
SHEET
1/28

DRAWING No.
01-0041

VER.
37

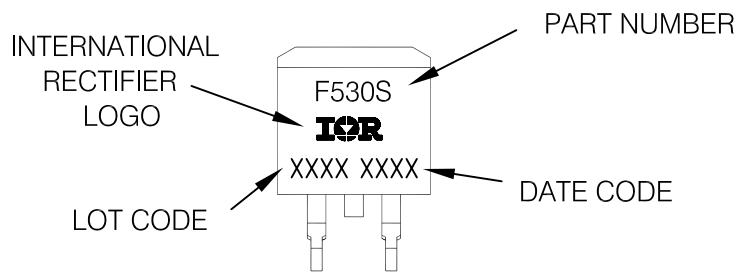
HD-1 (HEXDIP)

EXAMPLE: THIS IS AN IRFD120



D² Pak (TO-263A) for GB Production

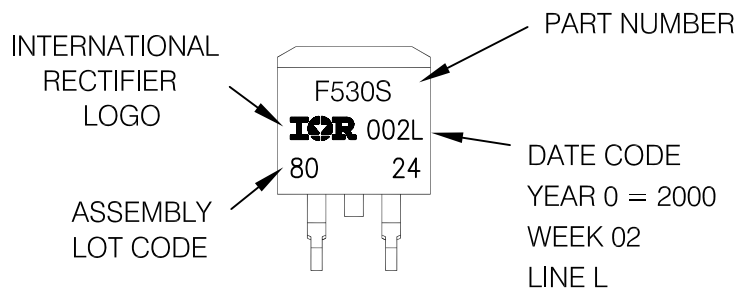
EXAMPLE: THIS IS AN IRF530S WITH
 LOT CODE 8024
 ASSEMBLED ON WW 02, 2000
 IN THE ASSEMBLY LINE "L"



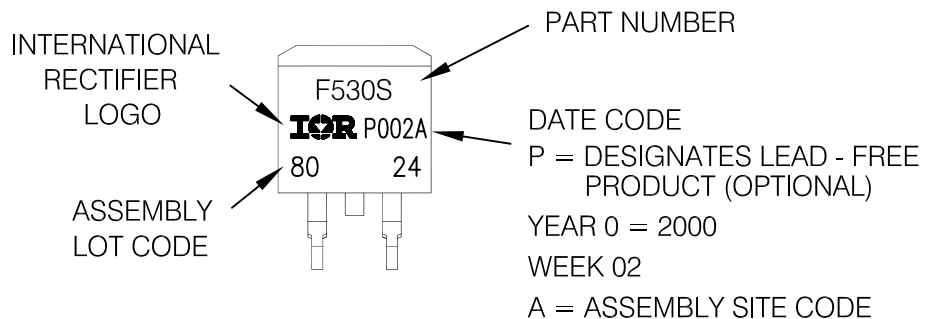
D² Pak (TO-263A) Lead - Free

EXAMPLE: THIS IS AN IRF530S WITH
 LOT CODE 8024
 ASSEMBLED ON WW 02, 2000
 IN THE ASSEMBLY LINE "L"

Note: "P" in assembly line position indicates "Lead - Free"



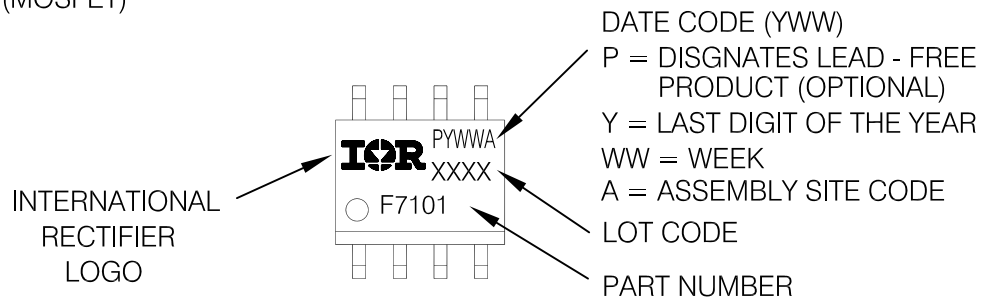
OR



SHEET	DRAWING No.	VER.
2 / 28	01-0041	37

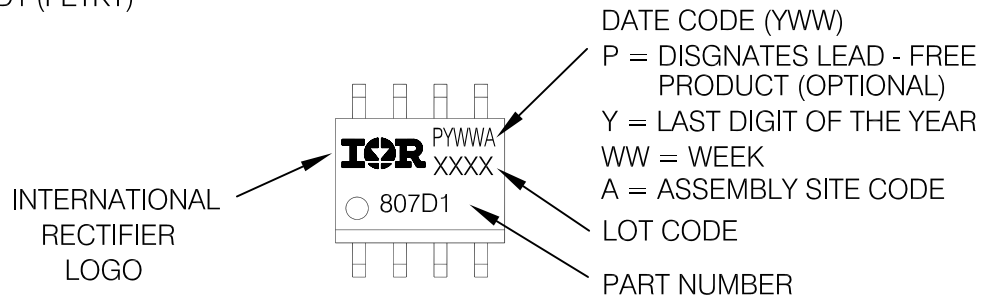
SO-8 (MS-012AA) Lead - Free

EXAMPLE: THIS IS AN IRF7101 (MOSFET)



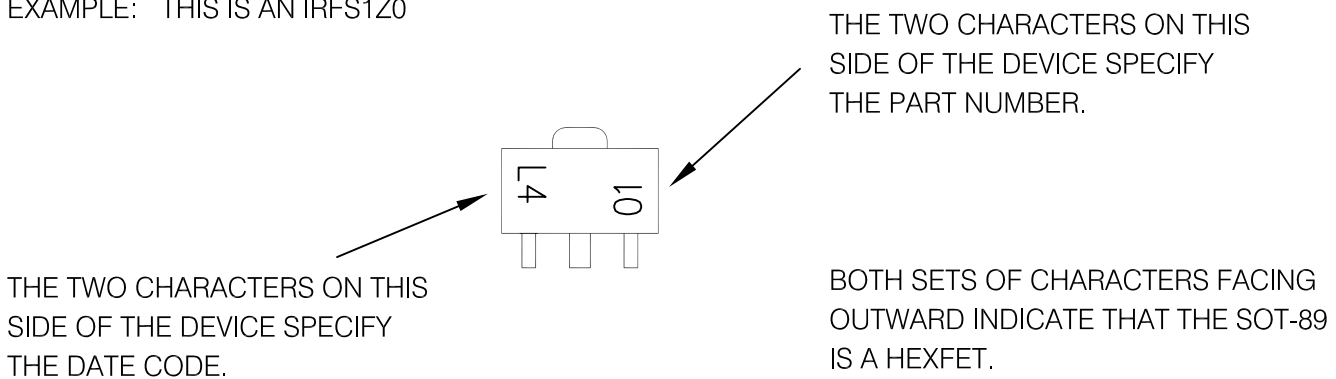
SO-8 (MS-012AA)

EXAMPLE: THIS IS AN IRF7807D1 (FETKY)



SOT-89

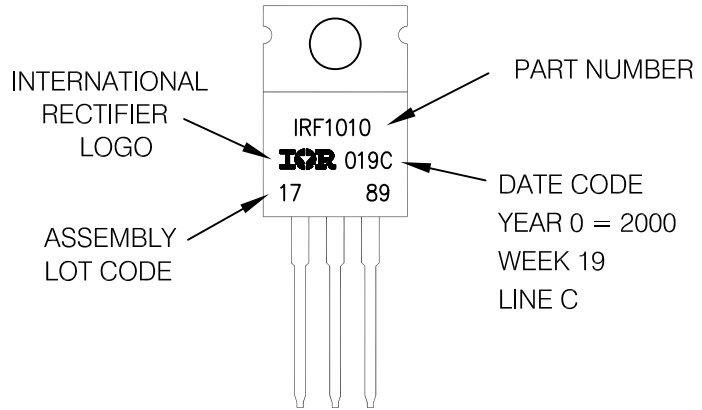
EXAMPLE: THIS IS AN IRFS1Z0



TO-220AB (Lead - Free)

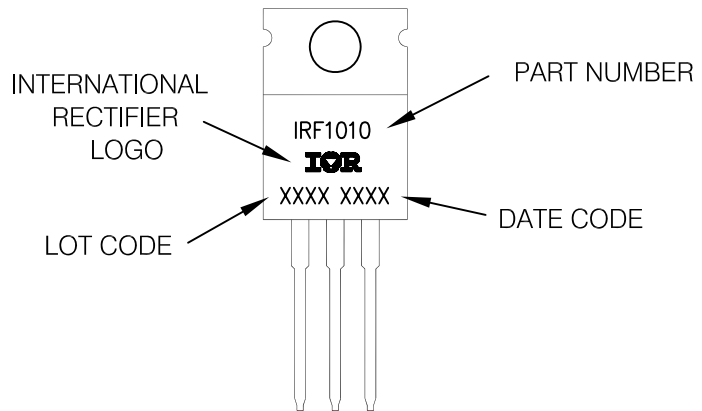
EXAMPLE: THIS IS AN IRF1010
 LOT CODE 1789
 ASSEMBLED ON WW 19, 2000
 IN THE ASSEMBLY LINE "C"

Note: "P" in assembly line position
 indicates "Lead - Free"



TO-220AB (for GB Production)

EXAMPLE: THIS IS AN IRF1010
 LOT CODE 1789
 ASSEMBLED ON WW 19, 1997
 IN THE ASSEMBLY LINE "C"



HEXFRED TO-220AB

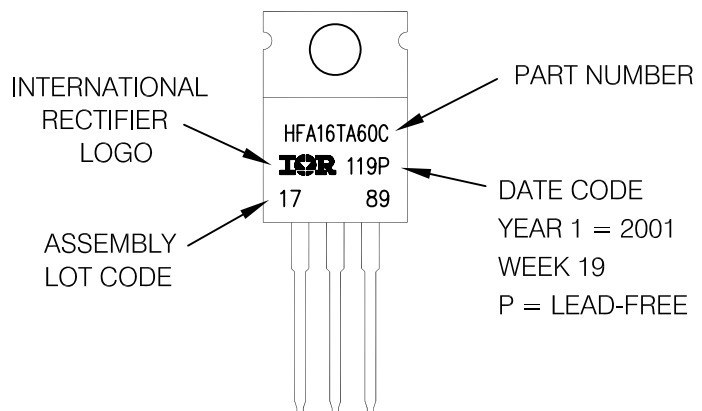
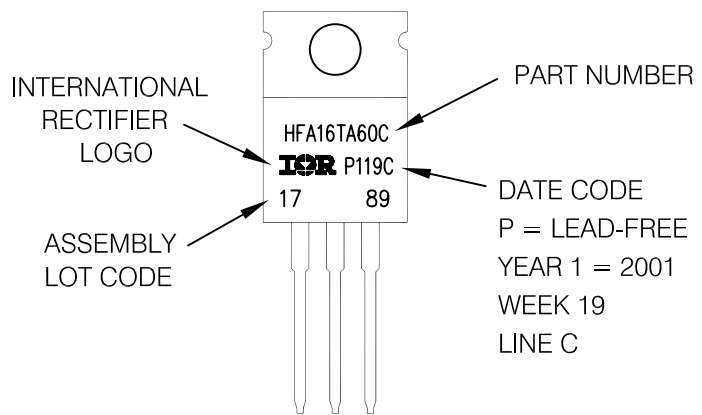
EXAMPLE: THIS IS AN HFA16TA60C
 LOT CODE 1789
 ASSEMBLED ON WW 19, 2001
 IN THE ASSEMBLY LINE "C"

Note: "P" in assembly line position
 indicates "Lead - Free"

OR

EXAMPLE: THIS IS AN HFA16TA60C
 LOT CODE 1789
 ASSEMBLED ON WW 19, 2001

Note: "P" in assembly line position
 indicates "Lead - Free"



SHEET

4 / 28

DRAWING No.

01-0041

VER.

37

HEXFRED TO-220AC

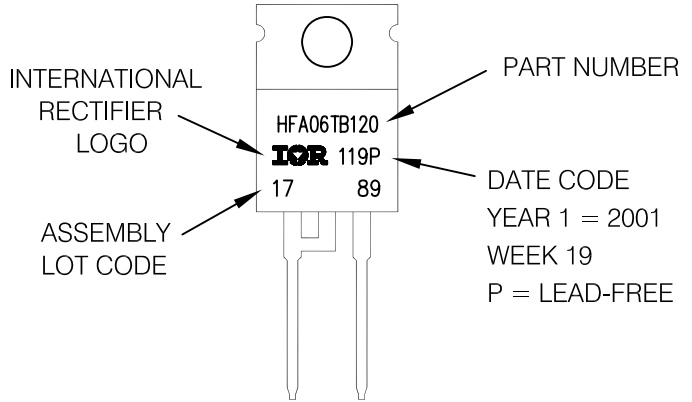
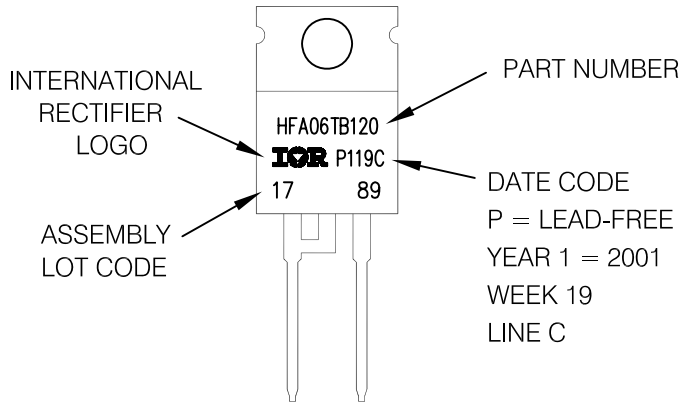
EXAMPLE: THIS IS AN HFA06TB120
LOT CODE 1789
ASSEMBLED ON WW 19, 2001
IN THE ASSEMBLY LINE "C"

Note: "P" in assembly line position
indicates "Lead - Free"

OR

EXAMPLE: THIS IS AN HFA06TB120
LOT CODE 1789
ASSEMBLED ON WW 19, 2001

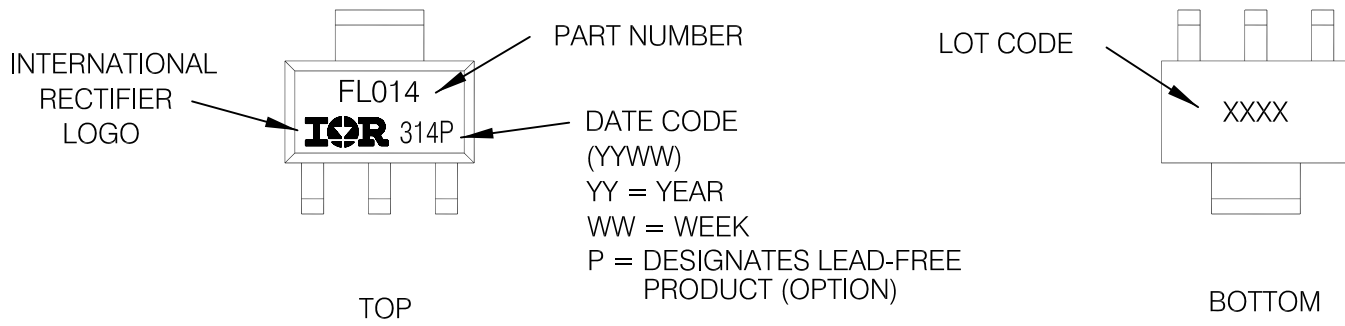
Note: "P" in assembly line position
indicates "Lead - Free"



SHEET 5 / 28	DRAWING No. 01-0041	VER. 37
-----------------	------------------------	------------

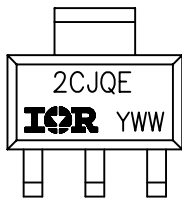
SOT-223 (TO-261AA) (Lead - Free) HEXFET PRODUCT MARKING

EXAMPLE: THIS IS AN IRFL014

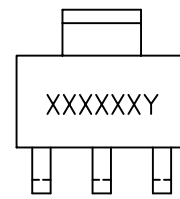


SOT-223 (TO-261AA) INPUT/OUTPUT RECTIFIER PRODUCT MARKING

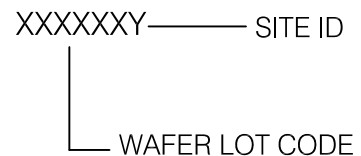
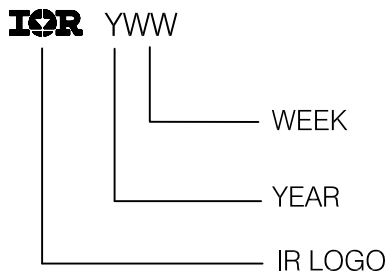
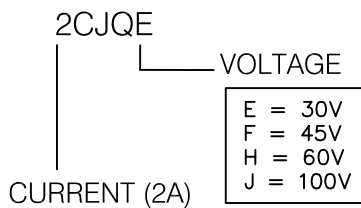
INPUT/ OUTPUT



EXAMPLE: THIS IS A 20CJQ30



BOTTOM MARKING

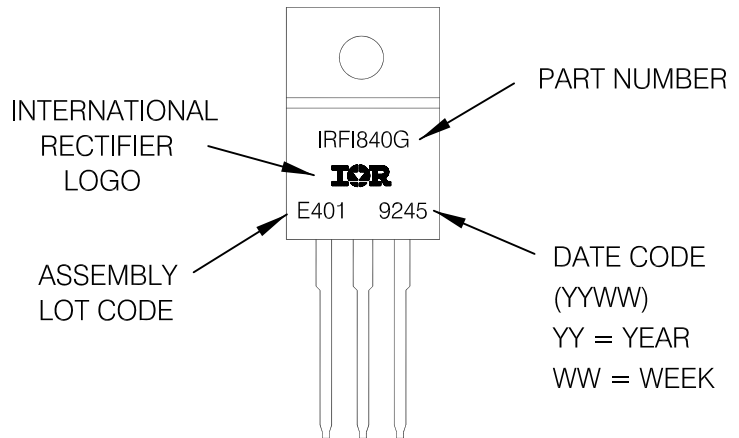


SHEET	DRAWING No.	VER.
6 / 28	01-0041	37

TO-220 FULL-PAK

Notes: This part marking information applies to all devices produced before 02/26/2001 and currently for parts manufactured in GB.

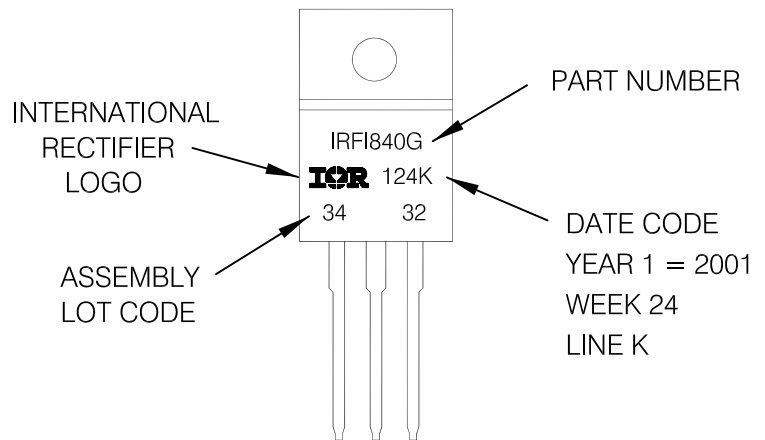
EXAMPLE: THIS IS AN IRF1840G
WITH ASSEMBLY
LOT CODE E401



TO-220 FULL-PAK (Lead - Free)

Notes: This part marking information applies to devices produced after 02/26/2001 in location other than GB.

EXAMPLE: THIS IS AN IRF1840G
WITH ASSEMBLY
LOT CODE 3432
ASSEMBLED ON WW 24, 2001
IN THE ASSEMBLY LINE "K"

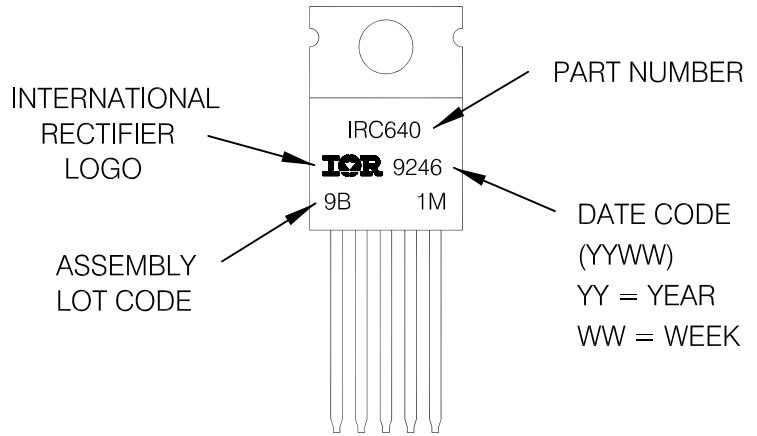


Note: "P" in assembly line position indicates "Lead-Free"

TO-220 5L HEXSENSE

Notes: This part marking information applies to devices produced before 02/26/2001

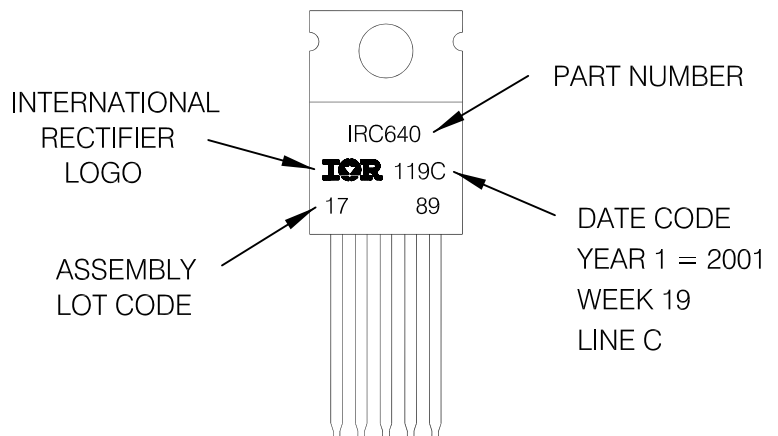
EXAMPLE: THIS IS AN IRC640
WITH ASSEMBLY
LOT CODE 9B1M



TO-220 5L HEXSENSE

Notes: This part marking information applies to devices produced after 02/26/2001

EXAMPLE: THIS IS AN IRC640
WITH ASSEMBLY
LOT CODE 1789
ASSEMBLED ON WW 19, 2001
IN THE ASSEMBLY LINE "C"



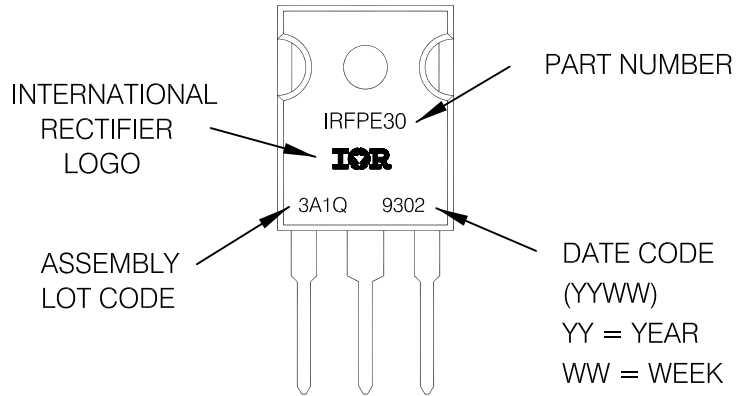
Note: "P" in assembly line position
indicates "Lead-Free"

SHEET	DRAWING No.	VER.
8 / 28	01-0041	37

TO-247AC

Notes: This part marking information applies to devices produced before 02/26/2001 or for parts manufactured in GB.

EXAMPLE: THIS IS AN IRFPE30
WITH ASSEMBLY
LOT CODE 3A1Q

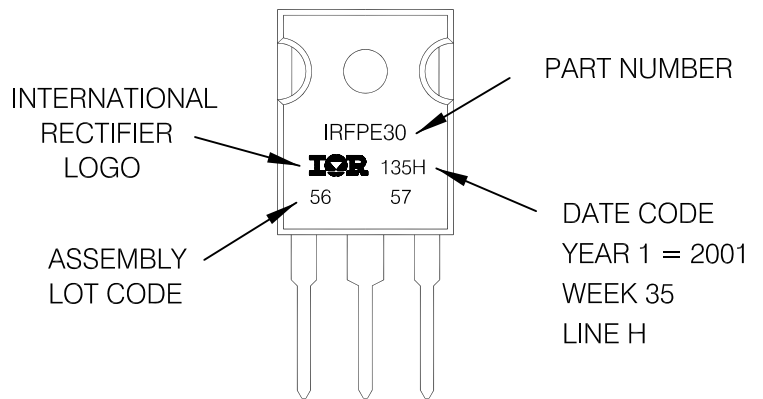


TO-247AC (Lead - Free)

Notes: This part marking information applies to devices produced after 02/26/2001

EXAMPLE: THIS IS AN IRFPE30
WITH ASSEMBLY
LOT CODE 5657
ASSEMBLED ON WW 35, 2001
IN THE ASSEMBLY LINE "H"

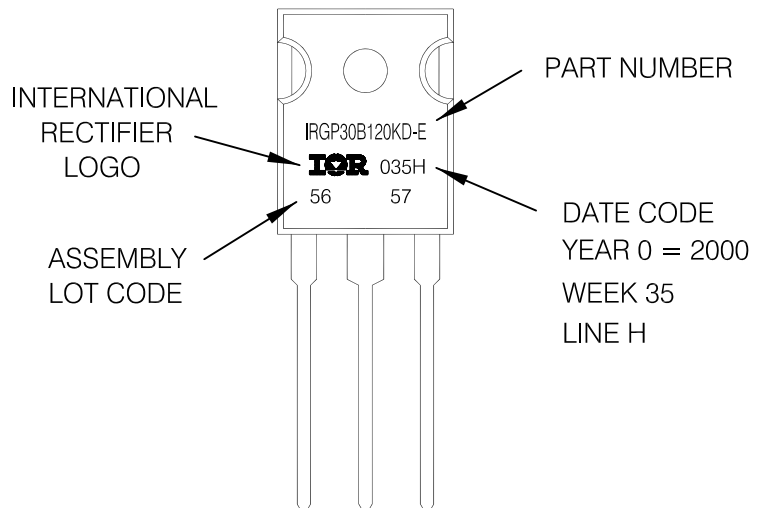
Note: "P" in assembly line position
indicates "Lead-Free"



TO-247AD (Lead - Free)

EXAMPLE: THIS IS AN IRGP30B120KD-E
WITH ASSEMBLY
LOT CODE 5657
ASSEMBLED ON WW 35, 2000
IN THE ASSEMBLY LINE "H"

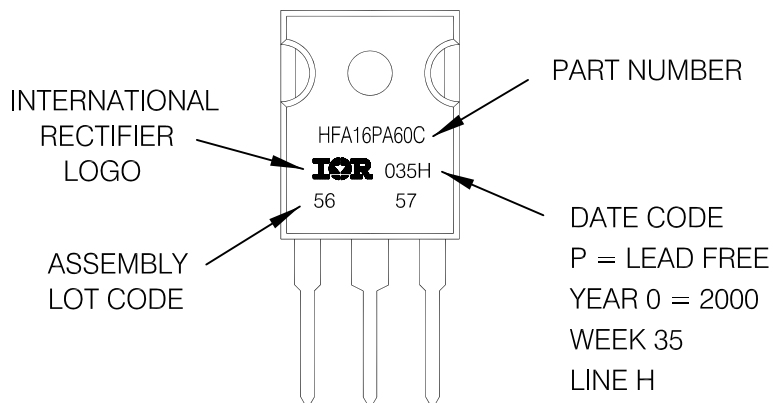
Note: "P" in assembly line position
indicates "Lead-Free"



HEXFRED TO-247AC

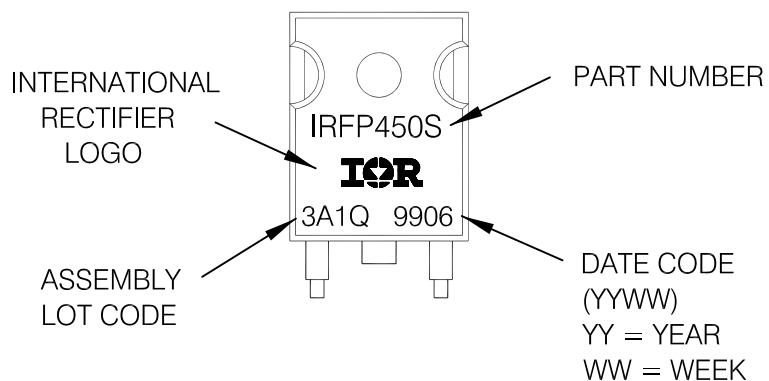
EXAMPLE: THIS IS AN HFA16PA60C
WITH ASSEMBLY
LOT CODE 5657
ASSEMBLED ON WW 35, 2000
IN THE ASSEMBLY LINE "H"

Note: "P" in assembly line position
indicates "Lead-Free"



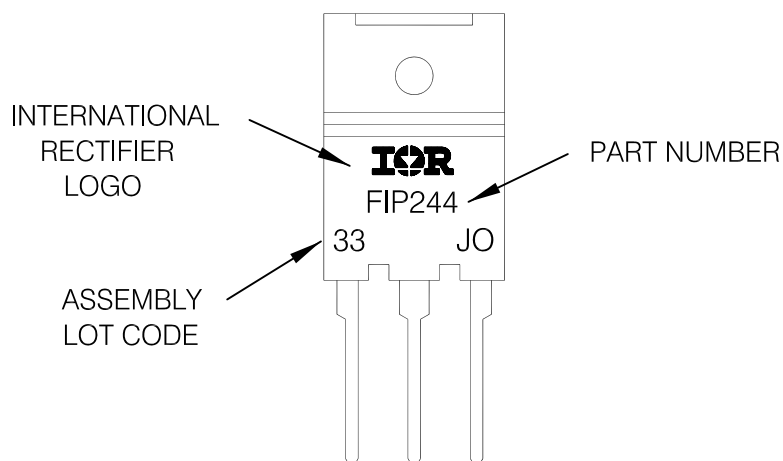
SMD-247

EXAMPLE: THIS IS AN IRFP450S WITH
ASSEMBLY LOT CODE 3A1Q



TO-247 FULL-PAK

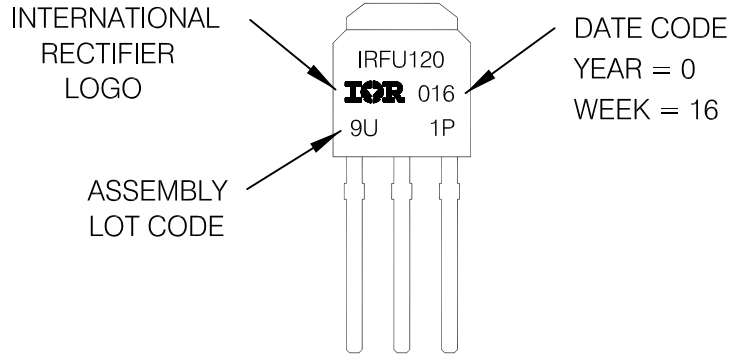
EXAMPLE: THIS IS AN IRFIP244
WITH ASSEMBLY
LOT CODE 33JO



TO-251AA (I-PAK)

Notes: This part marking information applies to devices produced before 02/26/2001

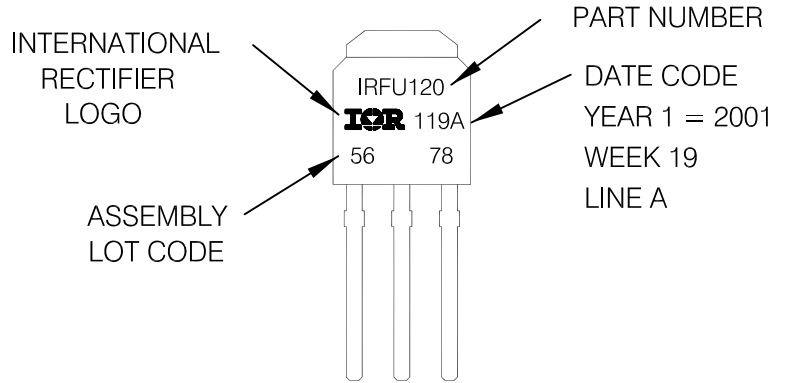
EXAMPLE: THIS IS AN IRFU120
WITH ASSEMBLY
LOT CODE 9U1P



TO-251AA (I-PAK) Lead - Free

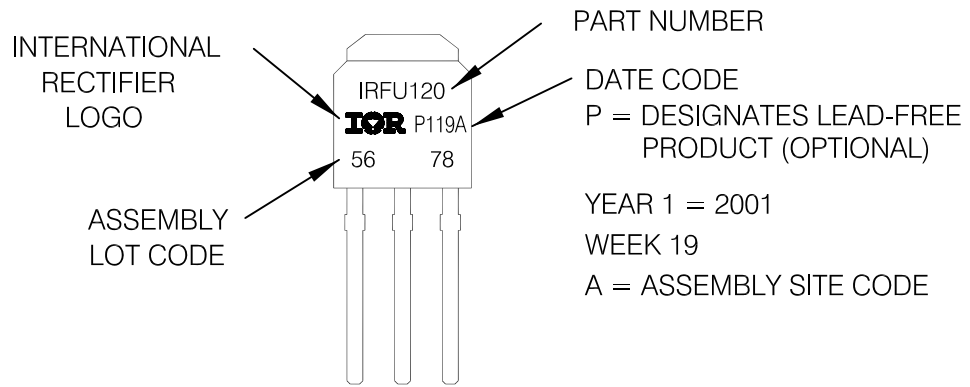
Notes: This part marking information applies to devices produced after 02/26/2001

EXAMPLE: THIS IS AN IRFU120
WITH ASSEMBLY
LOT CODE 5678
ASSEMBLED ON WW 19, 2001
IN THE ASSEMBLY LINE "A"



Note: "P" in assembly line position
indicates Lead-Free"

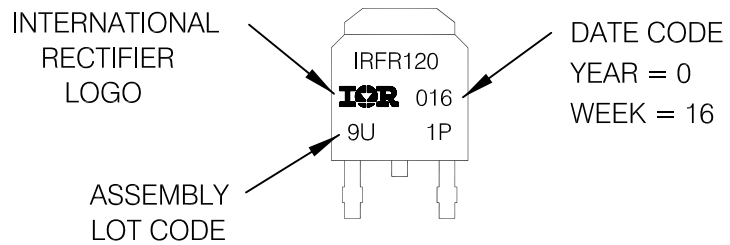
OR



TO-252AA (D-PAK)

Notes: This part marking information applies to devices produced before 02/26/2001

EXAMPLE: THIS IS AN IRFR120
WITH ASSEMBLY
LOT CODE 9U1P



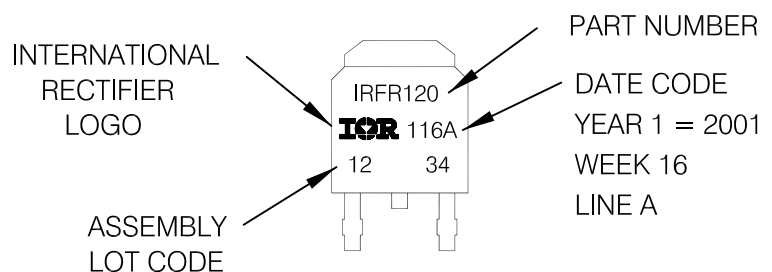
TO-252AA (D-PAK) Lead - Free

Notes: This part marking information applies to devices produced after 02/26/2001

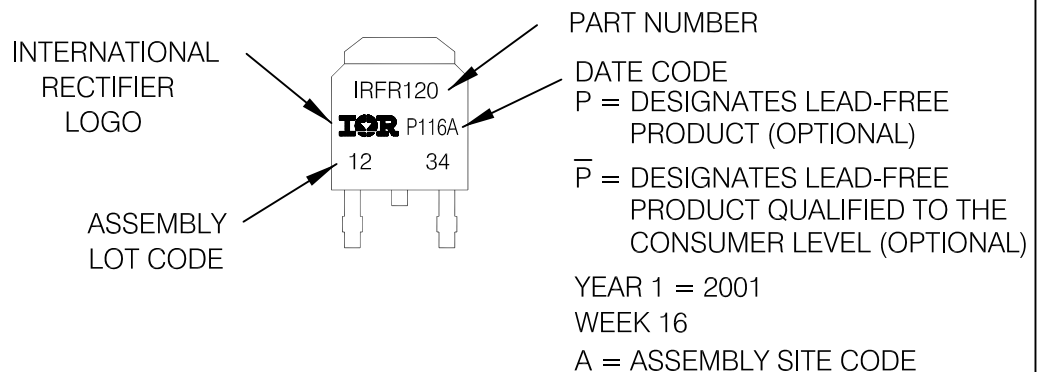
EXAMPLE: THIS IS AN IRFR120
WITH ASSEMBLY
LOT CODE 1234
ASSEMBLED ON WW 16, 2001
IN THE ASSEMBLY LINE "A"

Note: "P" in assembly line position
indicates "Lead-Free"

"P̄" in assembly line position indicates
"Lead-Free" qualification to the consumer-level



OR



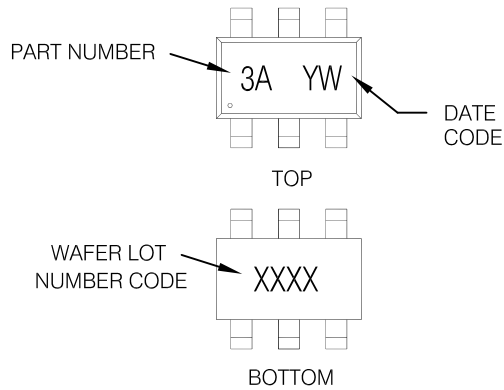
SHEET	DRAWING No.	VER.
12 / 28	01-0041	37

Micro6 (SOT-23 6L)

Notes: This part marking information applies to devices produced before 02/26/2001

EXAMPLE: THIS IS AN IRLMS6702

WW = (1-26) IF PRECEDED BY LAST DIGIT OF CALENDAR YEAR



YEAR	Y	WORK WEEK	W
2001	1	01	A
2002	2	02	B
2003	3	03	C
2004	4	04	D
2005	5		
1996	6		
1997	7		
1998	8		
1999	9		
2000	0	24	X
		25	Y
		26	Z

PART NUMBER CODE REFERENCE:

- 2A = IRLMS1902
- 2B = IRLMS1503
- 2C = IRLMS6702
- 2D = IRLMS5703
- 2E = IRLMS6802
- 2F = IRLMS4502
- 2G = IRLMS2002
- 2H = IRLMS6803

DATE CODE EXAMPLES:

- YWW = 9603 = 6C
- YWW = 9632 = FF

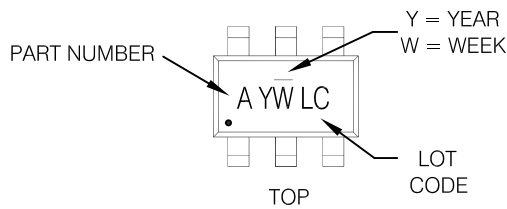
WW = (27-52) IF PRECEDED BY A LETTER

YEAR	Y	WORK WEEK	W
2001	A	27	A
2002	B	28	B
2003	C	29	C
2004	D	30	D
2005	E		
1996	F		
1997	G		
1998	H		
1999	J		
2000	K	50	X
		51	Y
		52	Z

Micro6 (SOT-23 6L) Lead - Free

Notes: This part marking information applies to devices produced after 02/26/2001

W = (1-26) IF PRECEDED BY LAST DIGIT OF CALENDAR YEAR



YEAR	Y	WORK WEEK	W	
2011	2001	1	01	A
2012	2002	2	02	B
2013	2003	3	03	C
2014	2004	4	04	D
2015	2005	5		
2016	2006	6		
2017	2007	7		
2018	2008	8		
2019	2009	9		
2020	2010	0	24	X
			25	Y
			26	Z

PART NUMBER CODE REFERENCE:

- A = IRLMS1902
- B = IRLMS1503
- C = IRLMS6702
- D = IRLMS5703
- E = IRLMS6802
- F = IRLMS4502
- G = IRLMS2002
- H = IRLMS6803

W = (27-52) IF PRECEDED BY A LETTER

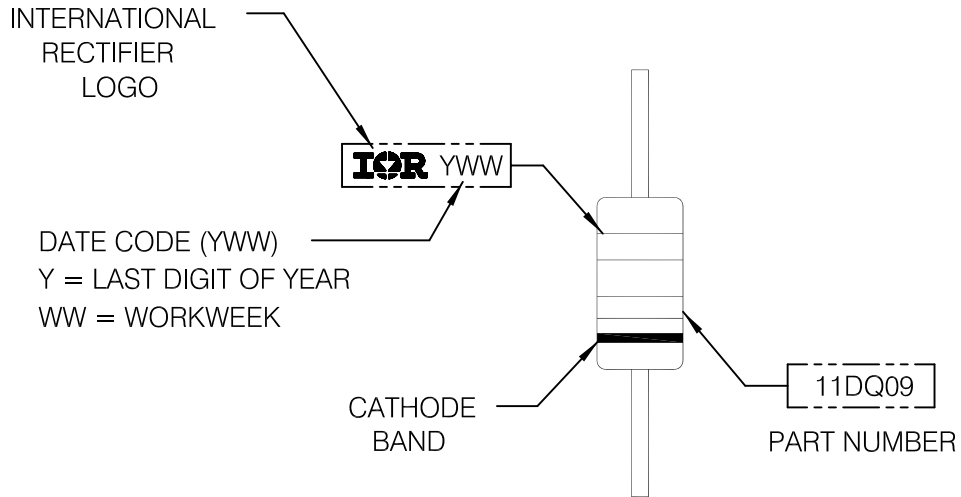
YEAR	Y	WORK WEEK	W	
2011	2001	A	27	A
2012	2002	B	28	B
2013	2003	C	29	C
2014	2004	D	30	D
2015	2005	E		
2016	2006	F		
2017	2007	G		
2018	2008	H		
2019	2009	J		
2020	2010	K	50	X
			51	Y
			52	Z

Note: A line above the work week (as shown here) indicates Lead-Free.

DO-41

Notes: This part marking information applies to devices produced before 02/26/2001

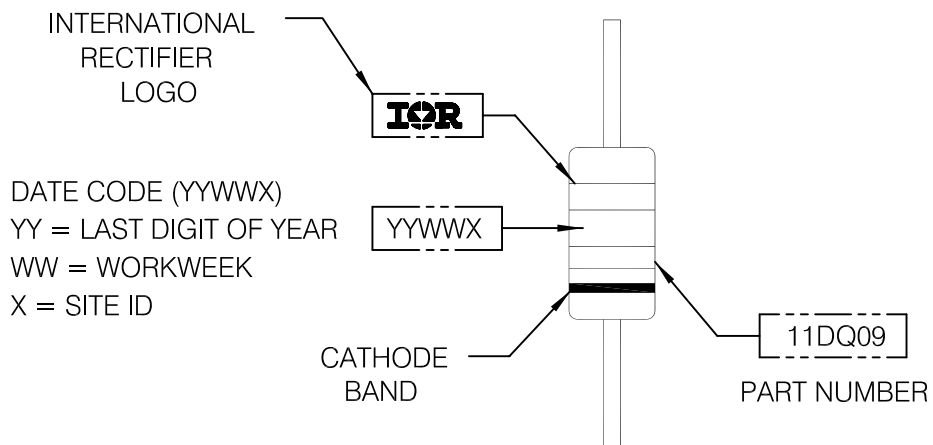
EXAMPLE: THIS IS AN 11DQ090



DO-41

Notes: This part marking information applies to devices produced after 02/26/2001

EXAMPLE: THIS IS AN 11DQ09

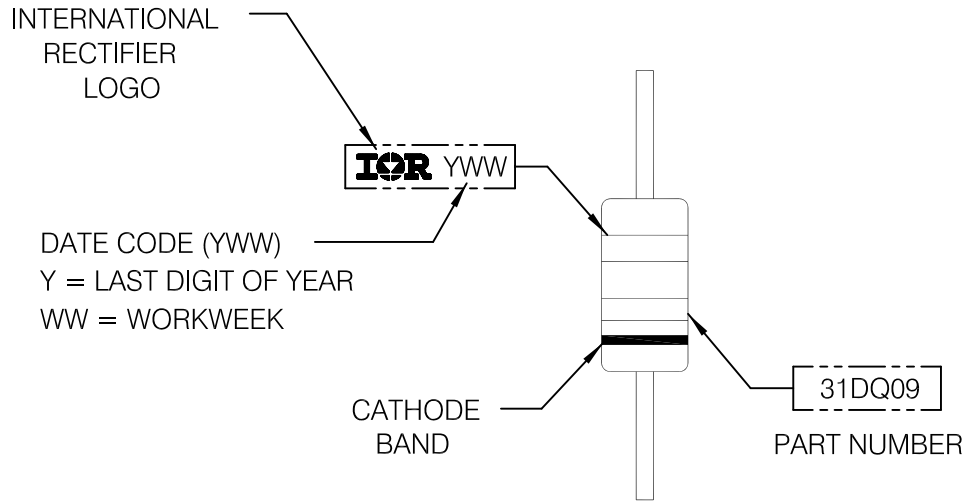


SHEET	DRAWING No.	VER.
14 / 28	01-0041	37

DO-201AD

Notes: This part marking information applies to devices produced before 02/26/2001

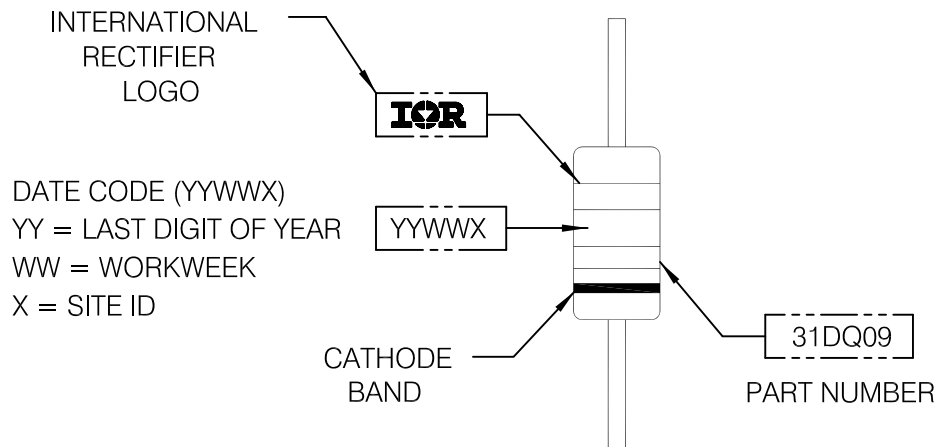
EXAMPLE: THIS IS AN 31DQ090



DO-201AD

Notes: This part marking information applies to devices produced after 02/26/2001

EXAMPLE: THIS IS AN 31DQ09



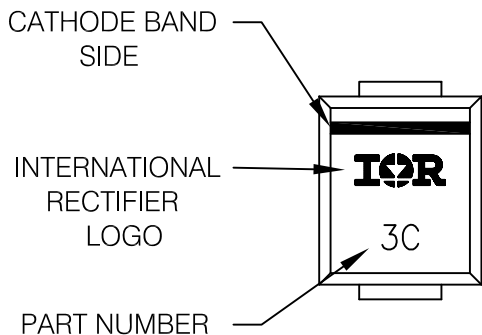
SHEET	DRAWING No.	VER.
15 / 28	01-0041	37

SMC (DO-214AB) SCHOTTKY

Notes: This part marking information applies to devices produced before 02/26/02

EXAMPLE: THIS IS AN 30BQ015

PART NUMBER EXAMPLES

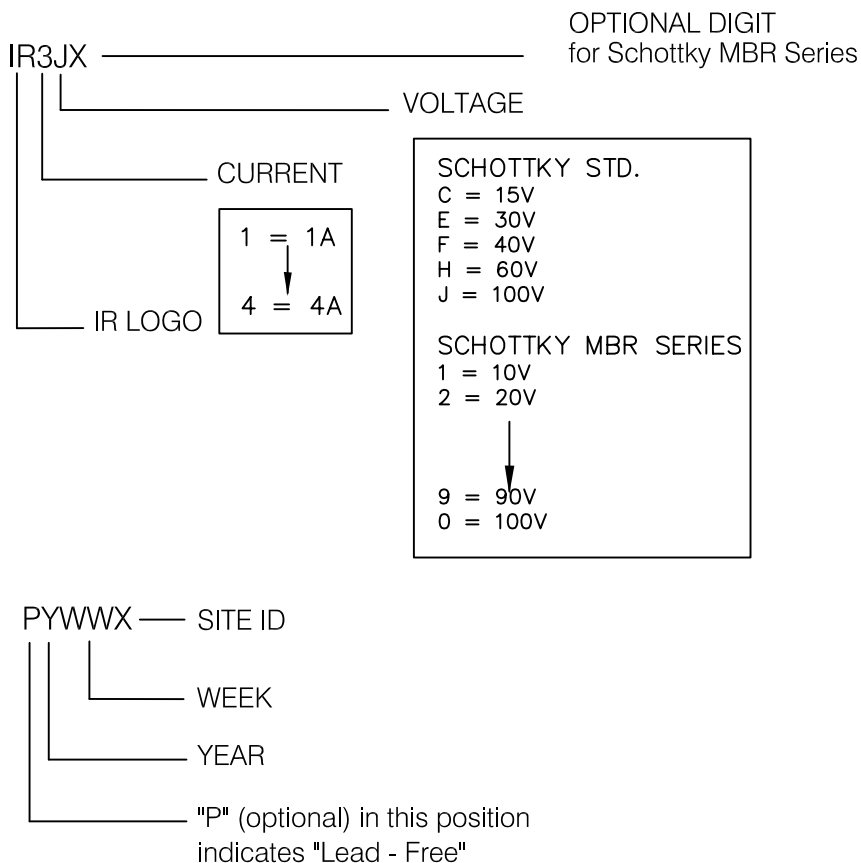
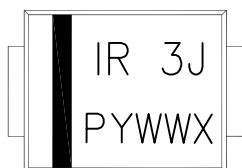


- 3C = 30BQ015
- 3F = 30BQ040
- 3H = 30BQ060
- 3J = 30BQ100
- 3P = 30BF10
- 3S = 30BF20
- 3T = 30BF40
- 3U = 30BF60
- 3V = 30BF80
- 3X = 30BF100

SMC (DO-214AB) SCHOTTKY (Lead - Free)

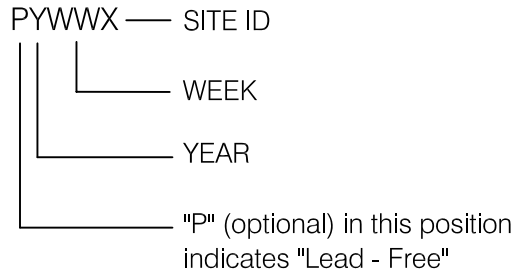
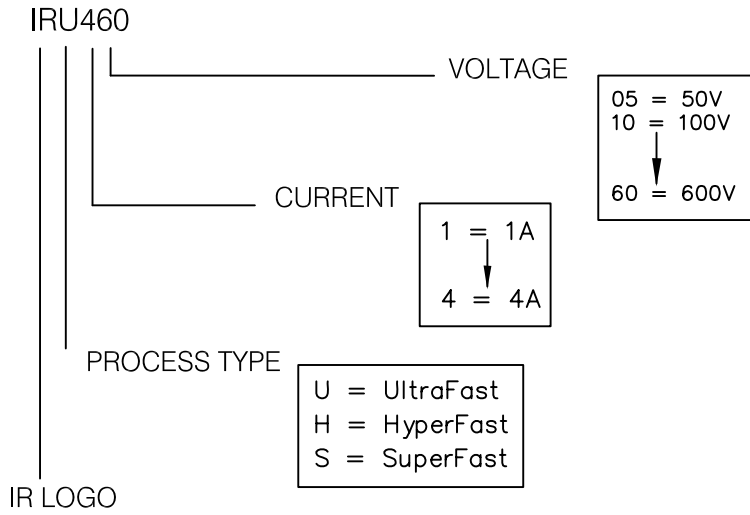
Notes: This part marking information applies to devices produced after 02/26/02

EXAMPLE: THIS IS AN 30BQ100



SMC (DO-214AB) FRED (Lead - Free)

EXAMPLE: THIS IS AN MURS460



SHEET	DRAWING No.	VER.
17/28	01-0041	37

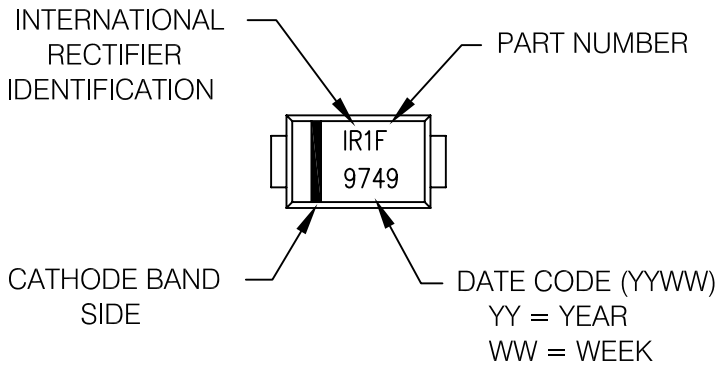
SMA (DO-214AC) SCHOTTKY

Notes: This part marking information applies to devices produced before 02/26/02

EXAMPLE: THIS IS AN 10MQ040N

PART NUMBER EXAMPLES

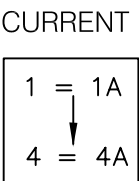
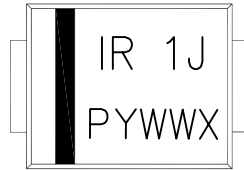
- 1F = 10MQ040N
- 1H = 10MQ060N
- 1J = 10MQ100N
- 2F = 15MQ040N



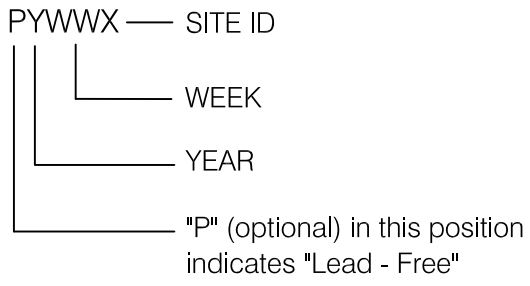
SMA (DO-214AC) SCHOTTKY (Lead - Free)

Notes: This part marking information applies to devices produced after 02/26/02

EXAMPLE: THIS IS AN 10MQ100N



SCHOTTKY STD.	
C	= 15V
E	= 30V
F	= 40V
H	= 60V
J	= 100V
SCHOTTKY MBR SERIES	
1	= 10V
2	= 20V
9	= 90V
0	= 100V

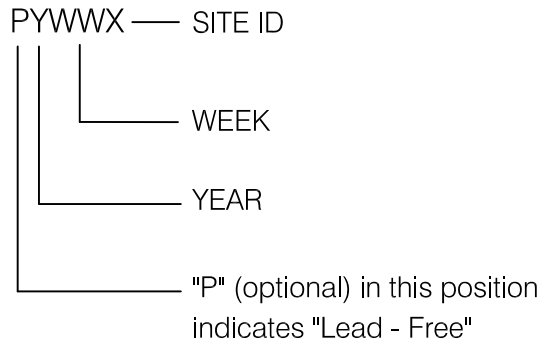
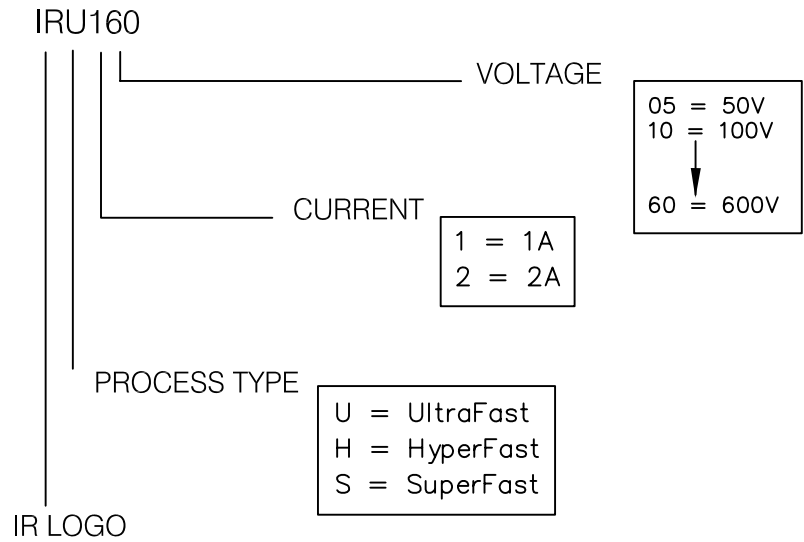


SMA (DO-214AC) FRED (Lead - Free)

EXAMPLE: THIS IS AN MURS160



EXAMPLE: THIS IS A MURS160



SMB (DO-214AA) SCHOTTKY

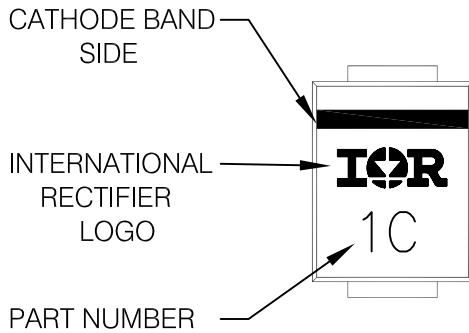
Notes: This part marking information applies to devices produced before 02/26/02

EXAMPLE: THIS IS AN 10BQ015

PART NUMBER EXAMPLES

- 11 = SM4001
- 12 = SM4002
- 13 = SM4003
- 14 = SM4004
- 15 = SM4005
- 16 = SM4006
- 17 = SM4007

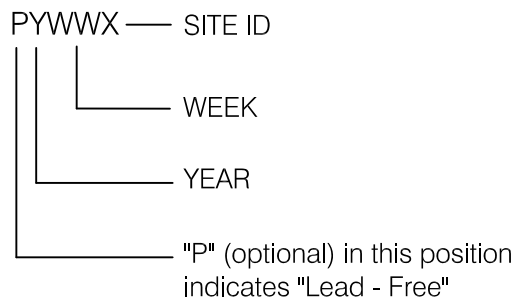
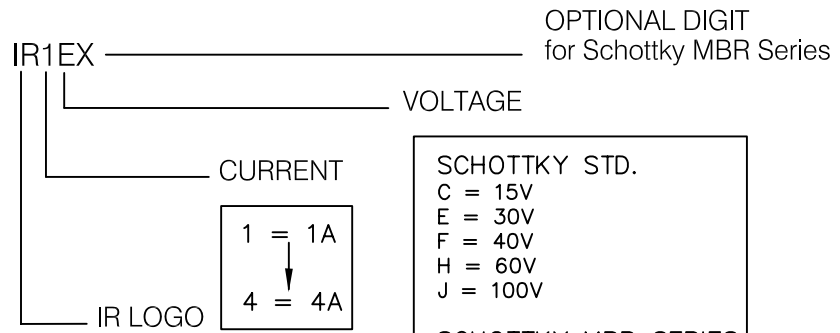
- 1C = 10BQ015
- 1F = 10BQ040
- 1H = 10BQ060
- 1J = 10BQ100
- 1M = SM5819
- 1P = 10BF10
- 1S = 10BF20
- 1T = 10BF40
- 1U = 10BF60
- 1V = 10BF80
- 1X = 10BF100



SMB (DO-214AA) SCHOTTKY (Lead - Free)

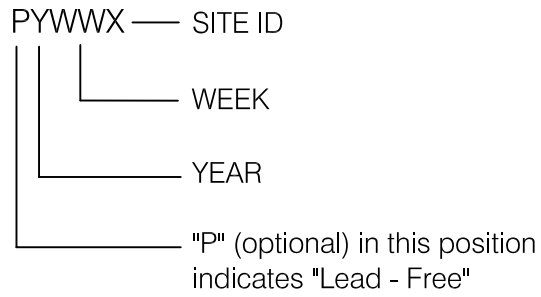
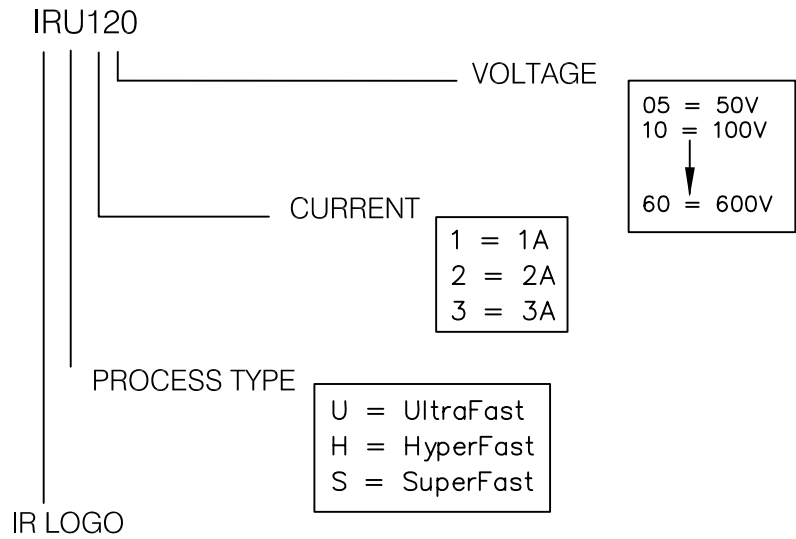
Notes: This part marking information applies to devices produced after 02/26/02

EXAMPLE: THIS IS AN 10BQ030



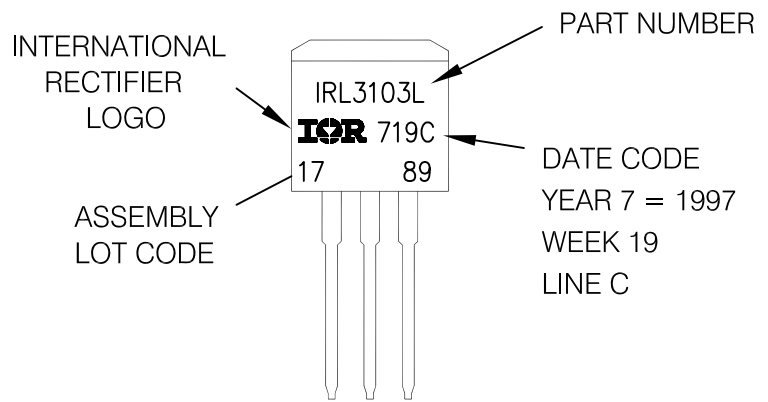
SMB (DO-214AA) FRED (Lead - Free)

EXAMPLE: THIS IS AN MURS120

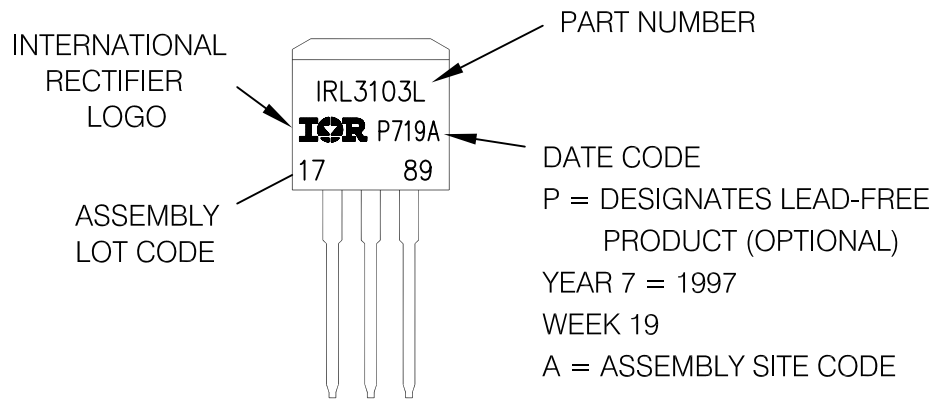


EXAMPLE: THIS IS AN IRL3103L
 LOT CODE 1789
 ASSEMBLED ON WW 19, 1997
 IN THE ASSEMBLY LINE "C"

Note: "P" in assembly line position
 indicates "Lead - Free"



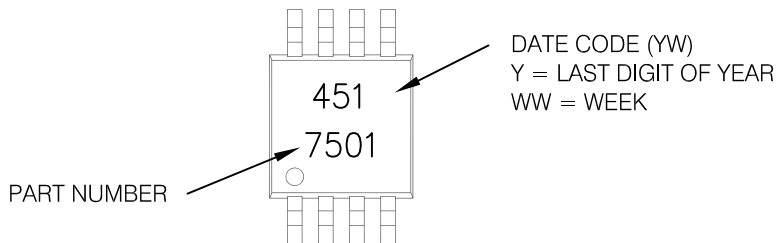
OR



Micro8

Notes: This part marking information applies to devices produced before 02/26/2001

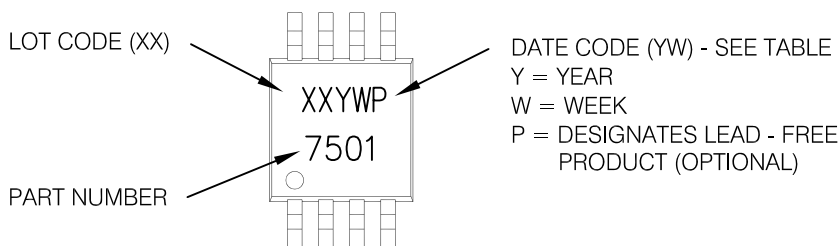
EXAMPLE: THIS IS AN IRF7501



Micro8 (Lead - Free)

Notes: This part marking information applies to devices produced after 02/26/2001

EXAMPLE: THIS IS AN IRF7501



W = (1-26) IF PRECEDED BY LAST DIGIT OF CALENDAR YEAR

YEAR	Y	WORK WEEK	W	
2011	2001	1	01	A
2012	2002	2	02	B
2013	2003	3	03	C
2014	2004	4	04	D
2015	2005	5		
2016	2006	6		
2017	2007	7		
2018	2008	8		
2019	2009	9		
2020	2010	0	24	X
			25	Y
			26	Z

W = (27-52) IF PRECEDED BY A LETTER

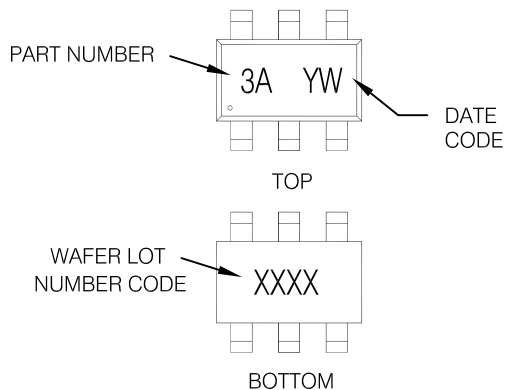
YEAR	Y	WORK WEEK	W	
2011	2001	A	27	A
2012	2002	B	28	B
2013	2003	C	29	C
2014	2004	D	30	D
2015	2005	E		
2016	2006	F		
2017	2007	G		
2018	2008	H		
2019	2009	J		
2020	2010	K	50	X
			51	Y
			52	Z

TSOP6 (MO-193AA)

Notes: This part marking information applies to devices produced before 02/26/2001

EXAMPLE: THIS IS AN SI3443DV

WW = (1-26) IF PRECEDED BY LAST DIGIT OF CALENDAR YEAR



YEAR	Y	WORK WEEK	W
2001	1	01	A
2002	2	02	B
2003	3	03	C
2004	4	04	D
2005	5		
1996	6		
1997	7		
1998	8		
1999	9		
2000	0	24	X
		25	Y
		26	Z

PART NUMBER CODE REFERENCE:

- 3A = SI3443DV
- 3B = IRF5800
- 3C = IRF5850
- 3D = IRF5851
- 3E = IRF5852
- 3I = IRF5805
- 3J = IRF5806

DATE CODE EXAMPLES:

- YWW = 9603 = 6C
- YWW = 9632 = FF

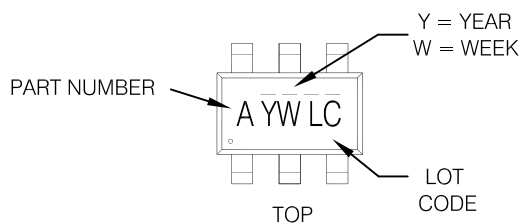
WW = (27-52) IF PRECEDED BY A LETTER

YEAR	Y	WORK WEEK	W
2001	A	27	A
2002	B	28	B
2003	C	29	C
2004	D	30	D
2005	E		
1996	F		
1997	G		
1998	H		
1999	J		
2000	K	50	X
		51	Y
		52	Z

TSOP6 (MO-193AA)

Notes: This part marking information applies to devices produced after 02/26/2001

W = (1-26) IF PRECEDED BY LAST DIGIT OF CALENDAR YEAR



PART NUMBER CODE REFERENCE:

- A = SI3443DV
- B = IRF5800
- C = IRF5850
- D = IRF5851
- E = IRF5852
- F = IRF5801
- G = IRF5803
- H = IRF5804
- I = IRF5805
- J = IRF5806
- K = IRF5810
- N = IRF5802
- O = IRLTS6342TRPBF
- P = IRFTS8342TRPBF
- R = IRFTS9342TRPBF
- S = Not applicable
- T = IRLTS2242TRPBF

Note: A line above the work week (as shown here) indicates Lead-Free.

YEAR	Y	WORK WEEK	W	
2011	2001	1	01	A
2012	2002	2	02	B
2013	2003	3	03	C
2014	2004	4	04	D
2015	2005	5		
2016	2006	6		
2017	2007	7		
2018	2008	8		
2019	2009	9		
2020	2010	0	24	X
			25	Y
			26	Z

W = (27-52) IF PRECEDED BY A LETTER

YEAR	Y	WORK WEEK	W	
2011	2001	A	27	A
2012	2002	B	28	B
2013	2003	C	29	C
2014	2004	D	30	D
2015	2005	E		
2016	2006	F		
2017	2007	G		
2018	2008	H		
2019	2009	J		
2020	2010	K	50	X
			51	Y
			52	Z

8L TSSOP (MO-153AA)

Notes: This part marking information applies to devices produced before 06/22/2005

EXAMPLE: THIS IS AN IRF7702

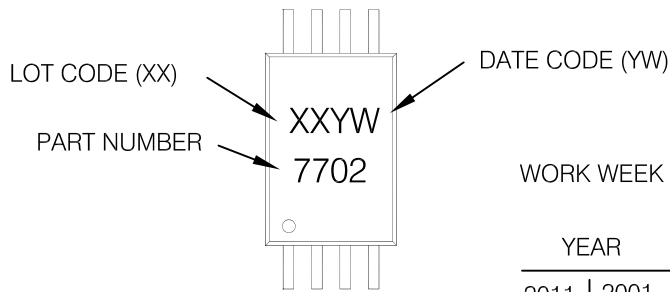


TABLE 1

WORK WEEK 1-26, NUMERIC YEAR CODE (1,2, ...ETC.)

YEAR	Y	WORK WEEK	W	
2011	2001	1	01	A
2012	2002	2	02	B
2013	2003	3	03	C
2014	2004	4	04	D
2015	2005	5		
2016	2006	6		
2017	2007	7		
2018	2008	8		
2019	2009	9		
2020	2010	0	24	X
			25	Y
			26	Z

DATE CODE EXAMPLES:

9503 = 5C
9532 = EF

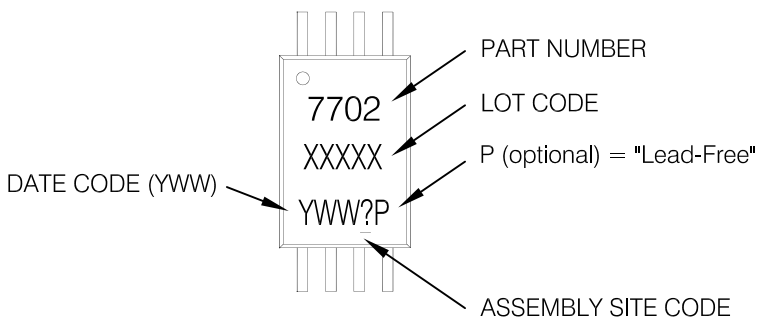
TABLE 2

WORK WEEK 27-52, ALPHANUMERIC YEAR CODE (A,B, ...ETC.)

YEAR	Y	WORK WEEK	W	
2011	2001	A	27	A
2012	2002	B	28	B
2013	2003	C	29	C
2014	2004	D	30	D
2015	2005	E		
2016	2006	F		
2017	2007	G		
2018	2008	H		
2019	2009	J		
2020	2010	K	50	X
			51	Y
			52	Z

Notes: This part marking information applies to devices produced after 06/22/2005

EXAMPLE: THIS IS AN IRF7702

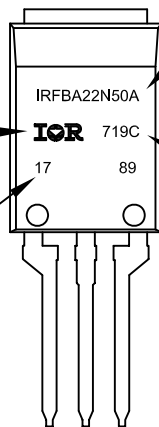


SUPER-220 (TO-273AA)

EXAMPLE: THIS IS AN IRFBA22N50A WITH
ASSEMBLY LOT CODE 1789
ASSEMBLED ON WW 19, 1997
IN THE ASSEMBLY LINE "C"

INTERNATIONAL RECTIFIER
LOGO

ASSEMBLY LOT CODE



PART NUMBER

DATE CODE
YEAR 7 = 1997
WEEK 19
LINE C

TOP

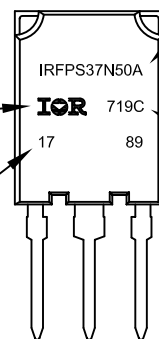
Note: "P" in assembly line position
indicates "Lead - Free"

SUPER-247 (TO-274AA)

EXAMPLE: THIS IS AN IRFPS37N50A WITH
ASSEMBLY LOT CODE 1789
ASSEMBLED ON WW 19, 1997
IN THE ASSEMBLY LINE "C"

INTERNATIONAL RECTIFIER
LOGO

ASSEMBLY LOT CODE



PART NUMBER

DATE CODE
YEAR 7 = 1997
WEEK 19
LINE C

TOP

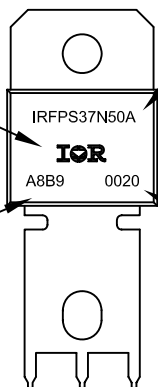
Note: "P" in assembly line position
indicates "Lead - Free"

POWIRTAB (TO-275AA)

EXAMPLE: THIS IS AN 100BG0015 WITH
ASSEMBLY LOT CODE A8B9

INTERNATIONAL RECTIFIER
LOGO

ASSEMBLY LOT CODE



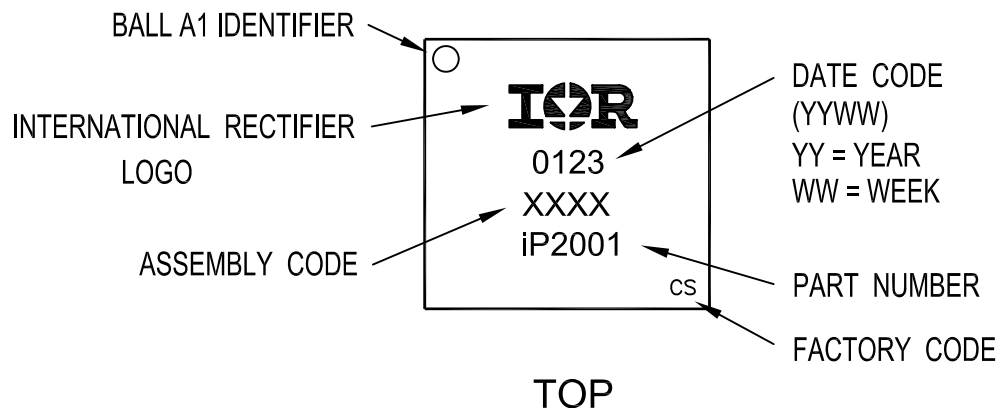
PART NUMBER

DATE CODE
(YYWW)
YY = YEAR
WW = WEEK

TOP

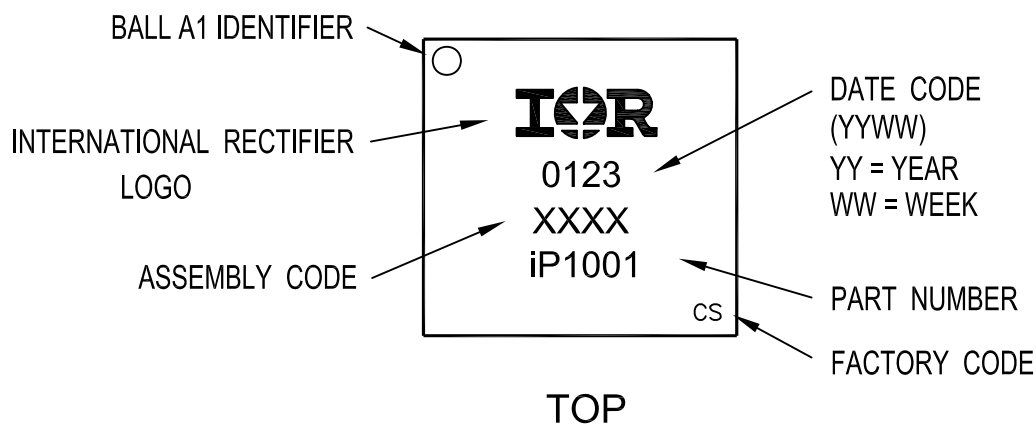
BGA (11 X 11 MM)

EXAMPLE: THIS IS AN iP2001



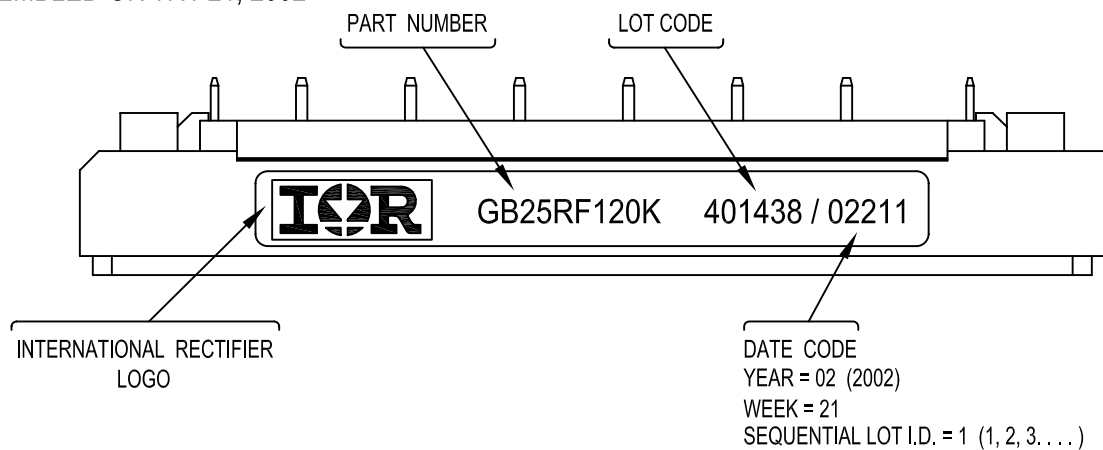
BGA (14 X 14 MM)

EXAMPLE: THIS IS AN iP1001



ECONO2

EXAMPLE: THIS IS A GB25RF120K
LOT CODE: 401438
ASSEMBLED ON WW 21, 2002



SHEET
27 / 28

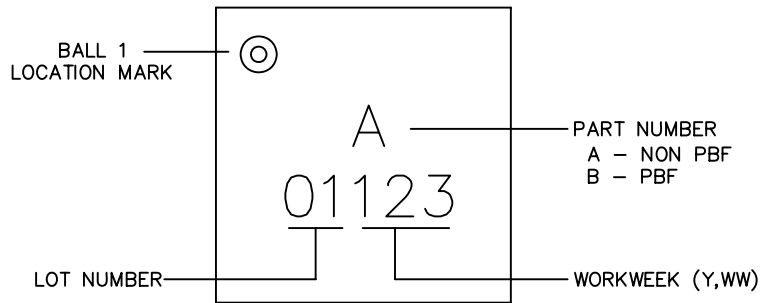
DRAWING No.
01-0041

VER.
37

PART NUMBER CODE DEFINITION

PART NUMBER	
64-8025	A (marking layout A)
IRF6100	A (marking layout A)
IRF6100PBF	B (marking layout A)
IR0530CSPTR	C (marking layout B)
IR0530CSPTRPBF	D (marking layout B)
IR05H40CSPTR	E (marking layout B)
IR05H40CSPTRPBF	F (marking layout B)
IR130CSPTR	G (marking layout A)
IR130CSPTRPBF	H (marking layout A)
IR140CSP	I (marking layout A)
IR140CSPTR	I (marking layout A)
IR140CSPPBF	J (marking layout A)
IR140CSPTRPBF	J (marking layout A)
IR1H40CSPTR	K (marking layout A)
IR1H40CSPTRPBF	L (marking layout A)
IRF6156	P (marking layout A)

LAYOUT MARKING A



LAYOUT MARKING B

